

## LOW VOLTAGE CMOS QUAD 2-INPUT OR GATE WITH 5V TOLERANT INPUTS

- 5V TOLERANT INPUTS
- HIGH SPEED:  
 $t_{PD} = 5.2\text{ns (MAX.) at } V_{CC} = 3\text{V}$
- POWER DOWN PROTECTION ON INPUTS AND OUTPUTS
- SYMMETRICAL OUTPUT IMPEDANCE:  
 $|I_{OH}| = I_{OL} = 24\text{mA (MIN) at } V_{CC} = 3\text{V}$
- PCI BUS LEVELS GUARANTEED AT 24 mA
- BALANCED PROPAGATION DELAYS:  
 $t_{PLH} \cong t_{PHL}$
- OPERATING VOLTAGE RANGE:  
 $V_{CC(OPR)} = 2.0\text{V to } 3.6\text{V (1.5V Data Retention)}$
- PIN AND FUNCTION COMPATIBLE WITH 74 SERIES 32
- LATCH-UP PERFORMANCE EXCEEDS 500mA (JESD 17)
- ESD PERFORMANCE:  
 $\text{HBM} > 2000\text{V (MIL STD 883 method 3015);}$   
 $\text{MM} > 200\text{V}$

### DESCRIPTION

The 74LCX32 is a low voltage CMOS QUAD 2-INPUT OR GATE fabricated with sub-micron silicon gate and double-layer metal wiring C<sup>2</sup>MOS



**Table 1: Order Codes**

| PACKAGE | T & R      |
|---------|------------|
| SOP     | 74LCX32MTR |
| TSSOP   | 74LCX32TTR |

technology. It is ideal for low power and high speed 3.3V applications; it can be interfaced to 5V signal environment for inputs.

It has same speed performance at 3.3V than 5V AC/ACT family, combined with a lower power consumption.

All inputs and outputs are equipped with protection circuits against static discharge, giving them 2KV ESD immunity and transient excess voltage.

**Figure 1: Pin Connection And IEC Logic Symbols**

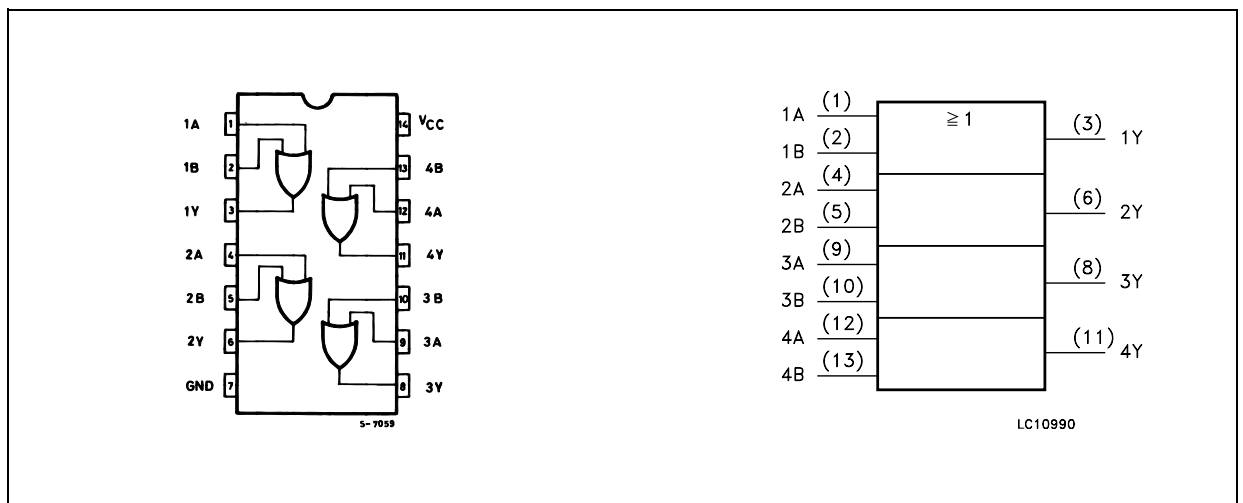


Figure 2: Input And Output Equivalent Circuit

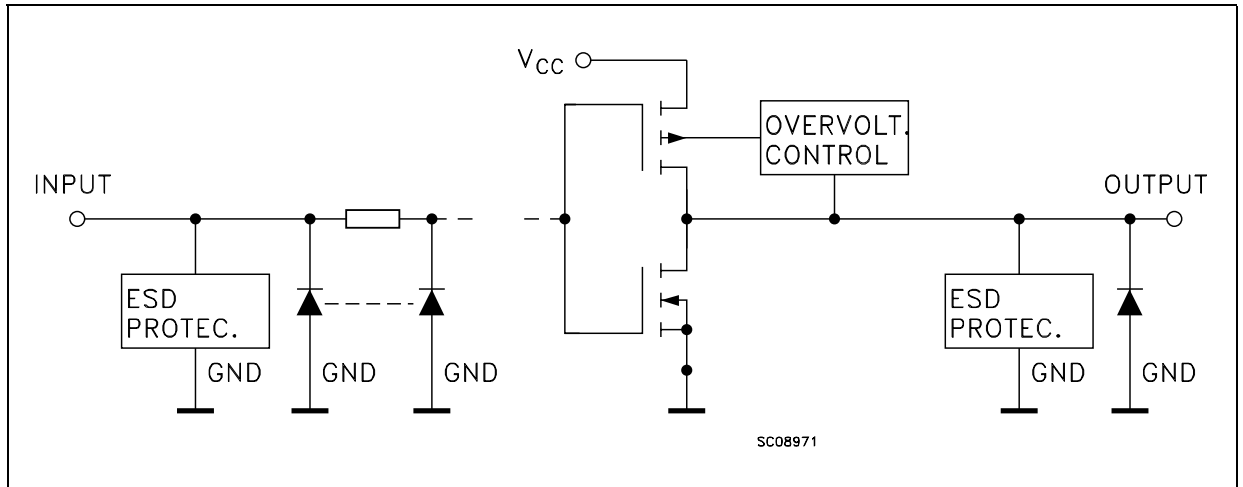


Table 2: Pin Description

| PIN N°       | SYMBOL          | NAME AND FUNCTION       |
|--------------|-----------------|-------------------------|
| 1, 4, 9, 12  | 1A to 4A        | Data Inputs             |
| 2, 5, 10, 13 | 1B to 4B        | Data Inputs             |
| 3, 6, 8, 11  | 1Y to 4Y        | Data Outputs            |
| 7            | GND             | Ground (0V)             |
| 14           | V <sub>CC</sub> | Positive Supply Voltage |

Table 3: Truth Table

| A | B | Y |
|---|---|---|
| L | L | L |
| L | H | H |
| H | L | H |
| H | H | H |

Table 4: Absolute Maximum Ratings

| Symbol           | Parameter                                      | Value                         | Unit |
|------------------|--|-------------------------------|------|
| V <sub>CC</sub>  | Supply Voltage                                 | -0.5 to +7.0                  | V    |
| V <sub>I</sub>   | DC Input Voltage                               | -0.5 to +7.0                  | V    |
| V <sub>O</sub>   | DC Output Voltage (V <sub>CC</sub> = 0V)       | -0.5 to +7.0                  | V    |
| V <sub>O</sub>   | DC Output Voltage (High or Low State) (note 1) | -0.5 to V <sub>CC</sub> + 0.5 | V    |
| I <sub>IK</sub>  | DC Input Diode Current                         | - 50                          | mA   |
| I <sub>OK</sub>  | DC Output Diode Current (note 2)               | - 50                          | mA   |
| I <sub>O</sub>   | DC Output Current                              | ± 50                          | mA   |
| I <sub>CC</sub>  | DC Supply Current per Supply Pin               | ± 100                         | mA   |
| I <sub>GND</sub> | DC Ground Current per Supply Pin               | ± 100                         | mA   |
| T <sub>stg</sub> | Storage Temperature                            | -65 to +150                   | °C   |
| T <sub>L</sub>   | Lead Temperature (10 sec)                      | 300                           | °C   |

Absolute Maximum Ratings are those values beyond which damage to the device may occur. Functional operation under these conditions is not implied

- 1) I<sub>O</sub> absolute maximum rating must be observed
- 2) V<sub>O</sub> < GND

Table 5: Recommended Operating Conditions

| Symbol           | Parameter   | Value         | Unit        |
|------------------|---|---------------|-------------|
| $V_{CC}$         | Supply Voltage (note 1)                                       | 2.0 to 3.6    | V           |
| $V_I$            | Input Voltage   | 0 to 5.5      | V           |
| $V_O$            | Output Voltage ( $V_{CC} = 0V$ )                              | 0 to 5.5      | V           |
| $V_O$            | Output Voltage (High or Low State)                            | 0 to $V_{CC}$ | V           |
| $I_{OH}, I_{OL}$ | High or Low Level Output Current ( $V_{CC} = 3.0$ to $3.6V$ ) | $\pm 24$      | mA          |
| $I_{OH}, I_{OL}$ | High or Low Level Output Current ( $V_{CC} = 2.7V$ )          | $\pm 12$      | mA          |
| $T_{op}$         | Operating Temperature   | -55 to 125    | $^{\circ}C$ |
| dt/dv            | Input Rise and Fall Time (note 2)                             | 0 to 10       | ns/V        |

1) Truth Table guaranteed: 1.5V to 3.6V

2)  $V_{IN}$  from 0.8V to 2V at  $V_{CC} = 3.0V$ 

Table 6: DC Specifications

| Symbol          | Parameter                 | Test Condition  |                                | Value                 |          |                        |          | Unit    |
|-----------------|---------------------------|-----------------|--------------------------------|-----------------------|----------|------------------------|----------|---------|
|                 |                           | $V_{CC}$<br>(V) |                                | -40 to 85 $^{\circ}C$ |          | -55 to 125 $^{\circ}C$ |          |         |
|                 |                           |                 |                                | Min.                  | Max.     | Min.                   | Max.     |         |
| $V_{IH}$        | High Level Input Voltage  | 2.7 to 3.6      |                                | 2.0                   |          | 2.0                    |          | V       |
| $V_{IL}$        | Low Level Input Voltage   |                 |                                |                       | 0.8      |                        | 0.8      |         |
| $V_{OH}$        | High Level Output Voltage | 2.7 to 3.6      | $I_O = -100 \mu A$             | $V_{CC} - 0.2$        |          | $V_{CC} - 0.2$         |          | V       |
|                 |                           | 2.7             | $I_O = -12 mA$                 | 2.2                   |          | 2.2                    |          |         |
|                 |                           | 3.0             | $I_O = -18 mA$                 | 2.4                   |          | 2.4                    |          |         |
|                 |                           |                 | $I_O = -24 mA$                 | 2.2                   |          | 2.2                    |          |         |
| $V_{OL}$        | Low Level Output Voltage  | 2.7 to 3.6      | $I_O = 100 \mu A$              |                       | 0.2      |                        | 0.2      | V       |
|                 |                           | 2.7             | $I_O = 12 mA$                  |                       | 0.4      |                        | 0.4      |         |
|                 |                           | 3.0             | $I_O = 16 mA$                  |                       | 0.4      |                        | 0.4      |         |
|                 |                           |                 | $I_O = 24 mA$                  |                       | 0.55     |                        | 0.55     |         |
| $I_I$           | Input Leakage Current     | 2.7 to 3.6      | $V_I = 0$ to $5.5V$            |                       | $\pm 5$  |                        | $\pm 5$  | $\mu A$ |
| $I_{off}$       | Power Off Leakage Current | 0               | $V_I$ or $V_O = 5.5V$          |                       | 10       |                        | 10       | $\mu A$ |
| $I_{CC}$        | Quiescent Supply Current  | 2.7 to 3.6      | $V_I = V_{CC}$ or GND          |                       | 10       |                        | 10       | $\mu A$ |
|                 |                           |                 | $V_I$ or $V_O = 3.6$ to $5.5V$ |                       | $\pm 10$ |                        | $\pm 10$ |         |
| $\Delta I_{CC}$ | $I_{CC}$ incr. per Input  | 2.7 to 3.6      | $V_{IH} = V_{CC} - 0.6V$       |                       | 500      |                        | 500      | $\mu A$ |

Table 7: Dynamic Switching Characteristics

| Symbol    | Parameter                               | Test Condition  |  | Value                        |      |      | Unit |
|-----------|---|-----------------|--|------------------------------|------|------|------|
|           |   | $V_{CC}$<br>(V) |  | $T_A = 25 \text{ }^{\circ}C$ |      |      |      |
|           |   |                 |  | Min.                         | Typ. | Max. |      |
| $V_{OLP}$ | Dynamic Low Level Quiet Output (note 1) | 3.3             | $C_L = 50pF$<br>$V_{IL} = 0V, V_{IH} = 3.3V$ |                              | 0.8  |      | V    |
| $V_{OLV}$ |   |                 |  |                              | -0.8 |      |      |

1) Number of outputs defined as "n". Measured with "n-1" outputs switching from HIGH to LOW or LOW to HIGH. The remaining output is measured in the LOW state.

**Table 8: AC Electrical Characteristics**

| Symbol                                 | Parameter                             | Test Condition         |                        |                       |   | Value        |      |               |      | Unit |
|--|---------------------------------------|------------------------|------------------------|-----------------------|---|--------------|------|---------------|------|------|
|  |                                       | V <sub>CC</sub><br>(V) | C <sub>L</sub><br>(pF) | R <sub>L</sub><br>(Ω) | t <sub>s</sub> = t <sub>r</sub><br>(ns) | -40 to 85 °C |      | -55 to 125 °C |      |      |
|  |                                       |                        |                        |                       |   | Min.         | Max. | Min.          | Max. |      |
| t <sub>PLH</sub> t <sub>PHL</sub>      | Propagation Delay Time                | 2.7                    | 50                     | 500                   | 2.5                                     |              | 6.0  |               | 6.9  | ns   |
|  |                                       | 3.0 to 3.6             |                        |                       |   | 1.0          | 5.2  |               | 6.0  |      |
| t <sub>OSLH</sub><br>t <sub>OSHL</sub> | Output To Output Skew Time (note1, 2) | 3.0 to 3.6             | 50                     | 500                   | 2.5                                     |              | 1.0  |               | 1.0  | ns   |

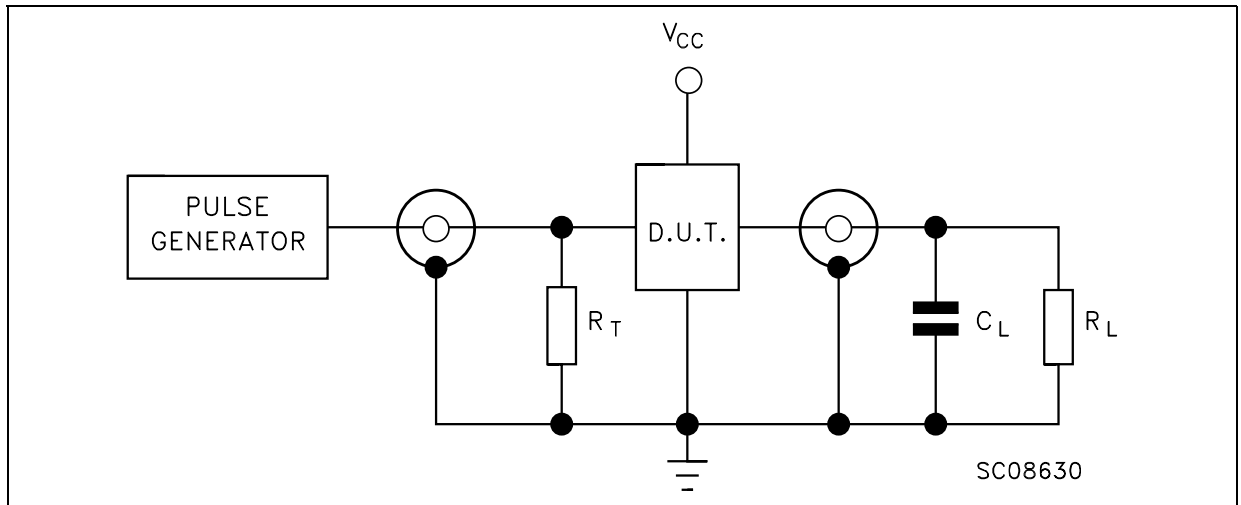
1) Skew is defined as the absolute value of the difference between the actual propagation delay for any two outputs of the same device switching in the same direction, either HIGH or LOW (t<sub>OSLH</sub> = |t<sub>PLHm</sub> - t<sub>PLHn</sub>|, t<sub>OSHL</sub> = |t<sub>PHLm</sub> - t<sub>PHLn</sub>|)  
 2) Parameter guaranteed by design

**Table 9: Capacitive Characteristics**

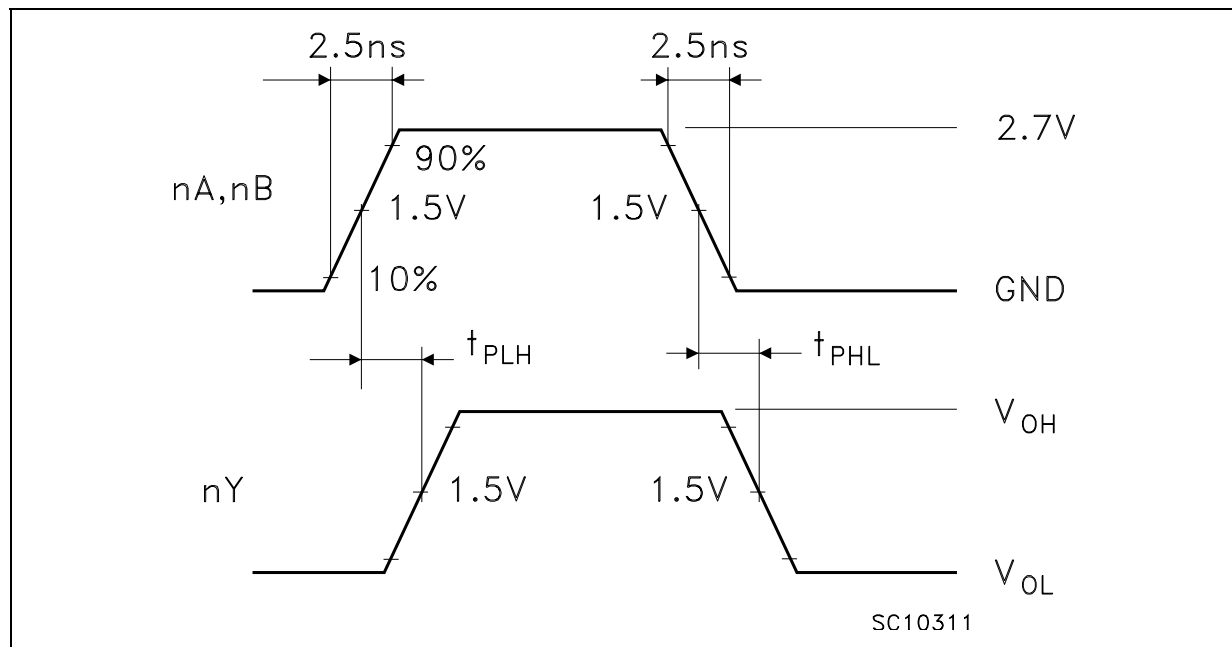
| Symbol          | Parameter                              | Test Condition         |   | Value                  |      |      | Unit |
|-----------------|--|------------------------|---|------------------------|------|------|------|
|                 |  | V <sub>CC</sub><br>(V) |   | T <sub>A</sub> = 25 °C |      |      |      |
|                 |  |                        |   | Min.                   | Typ. | Max. |      |
| C <sub>IN</sub> | Input Capacitance                      | 3.3                    | V <sub>IN</sub> = 0 to V <sub>CC</sub>                            |                        | 5    |      | pF   |
| C <sub>PD</sub> | Power Dissipation Capacitance (note 1) | 3.3                    | f <sub>IN</sub> = 10MHz<br>V <sub>IN</sub> = 0 or V <sub>CC</sub> |                        | 41   |      | pF   |

1) C<sub>PD</sub> is defined as the value of the IC's internal equivalent capacitance which is calculated from the operating current consumption without load. (Refer to Test Circuit). Average operating current can be obtained by the following equation. I<sub>CC(opr)</sub> = C<sub>PD</sub> × V<sub>CC</sub> × f<sub>IN</sub> + I<sub>CC</sub>/4 (per gate)

**Figure 3: Test Circuit**

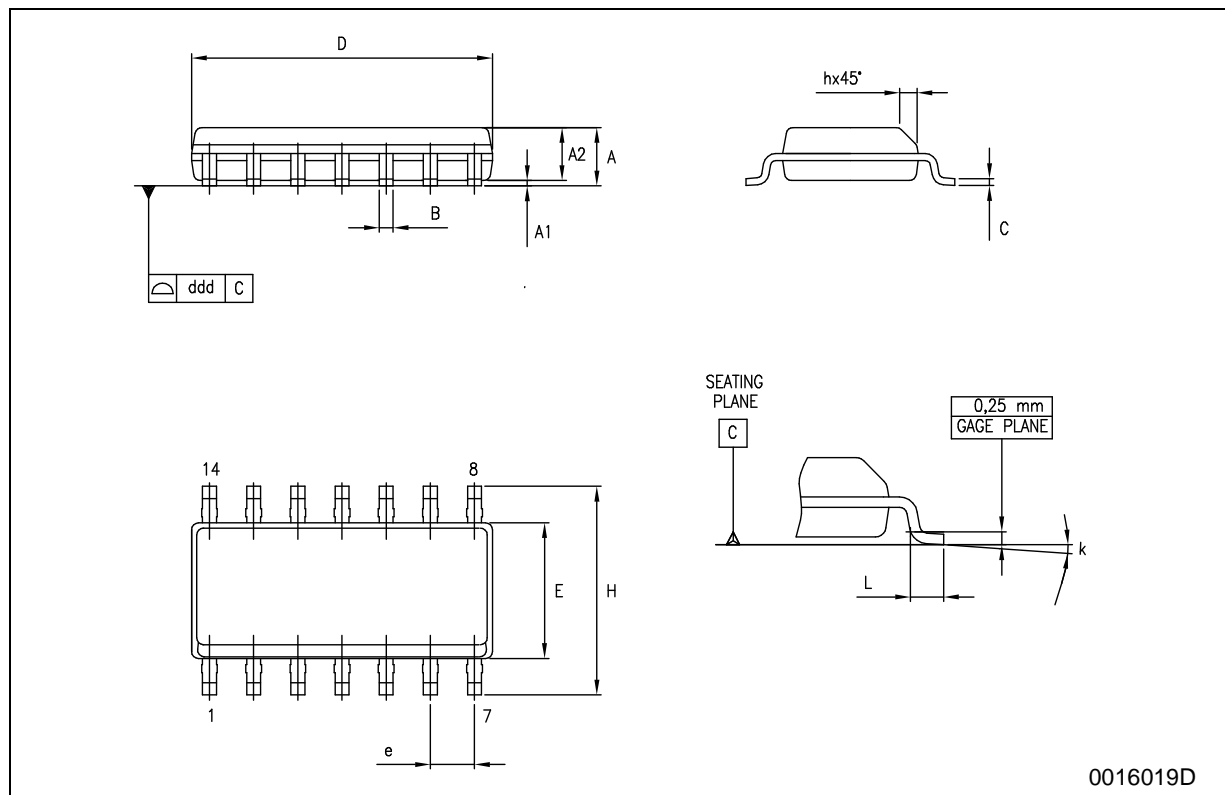


C<sub>L</sub> = 50 pF or equivalent (includes jig and probe capacitance)  
 R<sub>L</sub> = 500Ω or equivalent  
 R<sub>T</sub> = Z<sub>OUT</sub> of pulse generator (typically 50Ω)

Figure 4: Waveform - Propagation Delays ( $f=1\text{MHz}$ ; 50% duty cycle)

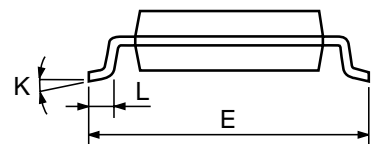
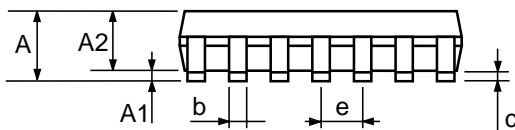
## SO-14 MECHANICAL DATA

| DIM. | mm.  |      |       | inch  |       |       |
|------|------|------|-------|-------|-------|-------|
|      | MIN. | TYP. | MAX.  | MIN.  | TYP.  | MAX.  |
| A    | 1.35 |      | 1.75  | 0.053 |       | 0.069 |
| A1   | 0.1  |      | 0.25  | 0.004 |       | 0.010 |
| A2   | 1.10 |      | 1.65  | 0.043 |       | 0.065 |
| B    | 0.33 |      | 0.51  | 0.013 |       | 0.020 |
| C    | 0.19 |      | 0.25  | 0.007 |       | 0.010 |
| D    | 8.55 |      | 8.75  | 0.337 |       | 0.344 |
| E    | 3.8  |      | 4.0   | 0.150 |       | 0.157 |
| e    |      | 1.27 |       |       | 0.050 |       |
| H    | 5.8  |      | 6.2   | 0.228 |       | 0.244 |
| h    | 0.25 |      | 0.50  | 0.010 |       | 0.020 |
| L    | 0.4  |      | 1.27  | 0.016 |       | 0.050 |
| k    | 0°   |      | 8°    | 0°    |       | 8°    |
| ddd  |      |      | 0.100 |       |       | 0.004 |



## TSSOP14 MECHANICAL DATA

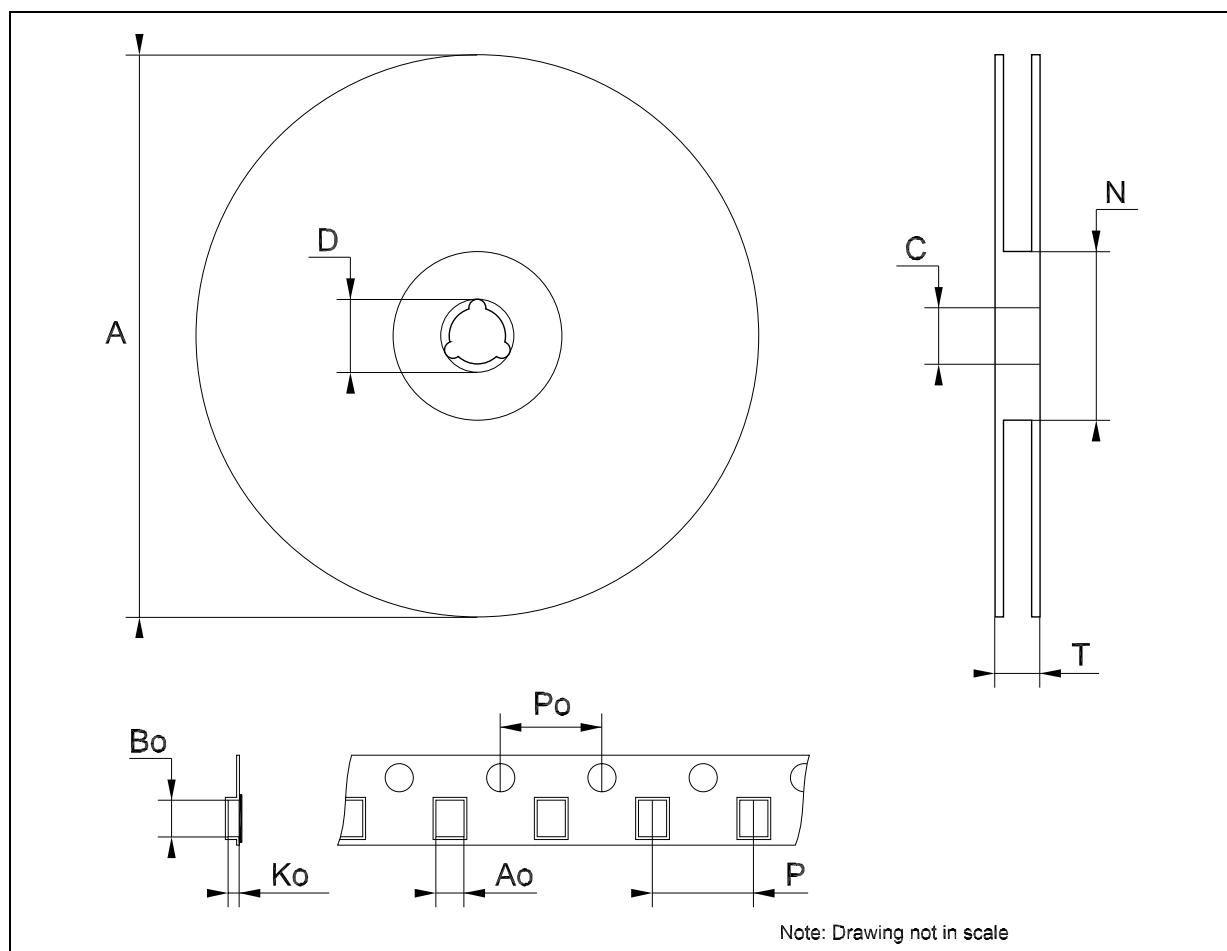
| DIM. | mm.  |          |      | inch  |            |        |
|------|------|----------|------|-------|------------|--------|
|      | MIN. | TYP      | MAX. | MIN.  | TYP.       | MAX.   |
| A    |      |          | 1.2  |       |            | 0.047  |
| A1   | 0.05 |          | 0.15 | 0.002 | 0.004      | 0.006  |
| A2   | 0.8  | 1        | 1.05 | 0.031 | 0.039      | 0.041  |
| b    | 0.19 |          | 0.30 | 0.007 |            | 0.012  |
| c    | 0.09 |          | 0.20 | 0.004 |            | 0.0089 |
| D    | 4.9  | 5        | 5.1  | 0.193 | 0.197      | 0.201  |
| E    | 6.2  | 6.4      | 6.6  | 0.244 | 0.252      | 0.260  |
| E1   | 4.3  | 4.4      | 4.48 | 0.169 | 0.173      | 0.176  |
| e    |      | 0.65 BSC |      |       | 0.0256 BSC |        |
| K    | 0°   |          | 8°   | 0°    |            | 8°     |
| L    | 0.45 | 0.60     | 0.75 | 0.018 | 0.024      | 0.030  |



0080337D

## Tape &amp; Reel SO-14 MECHANICAL DATA

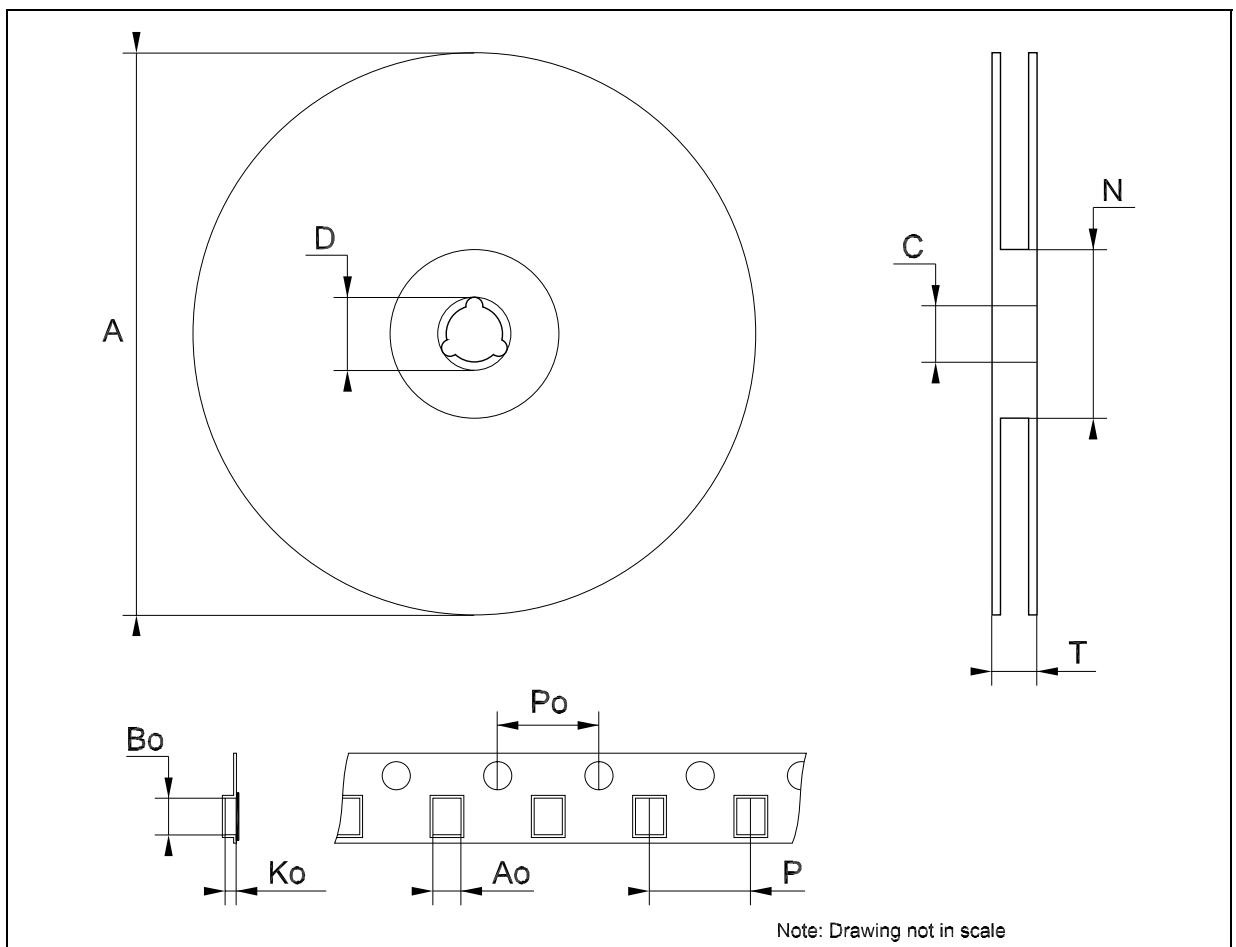
| DIM. | mm.  |     |      | inch  |      |        |
|------|------|-----|------|-------|------|--------|
|      | MIN. | TYP | MAX. | MIN.  | TYP. | MAX.   |
| A    |      |     | 330  |       |      | 12.992 |
| C    | 12.8 |     | 13.2 | 0.504 |      | 0.519  |
| D    | 20.2 |     |      | 0.795 |      |        |
| N    | 60   |     |      | 2.362 |      |        |
| T    |      |     | 22.4 |       |      | 0.882  |
| Ao   | 6.4  |     | 6.6  | 0.252 |      | 0.260  |
| Bo   | 9    |     | 9.2  | 0.354 |      | 0.362  |
| Ko   | 2.1  |     | 2.3  | 0.082 |      | 0.090  |
| Po   | 3.9  |     | 4.1  | 0.153 |      | 0.161  |
| P    | 7.9  |     | 8.1  | 0.311 |      | 0.319  |





## Tape & Reel TSSOP14 MECHANICAL DATA

| DIM. | mm.  |     |      | inch  |      |        |
|------|------|-----|------|-------|------|--------|
|      | MIN. | TYP | MAX. | MIN.  | TYP. | MAX.   |
| A    |      |     | 330  |       |      | 12.992 |
| C    | 12.8 |     | 13.2 | 0.504 |      | 0.519  |
| D    | 20.2 |     |      | 0.795 |      |        |
| N    | 60   |     |      | 2.362 |      |        |
| T    |      |     | 22.4 |       |      | 0.882  |
| Ao   | 6.7  |     | 6.9  | 0.264 |      | 0.272  |
| Bo   | 5.3  |     | 5.5  | 0.209 |      | 0.217  |
| Ko   | 1.6  |     | 1.8  | 0.063 |      | 0.071  |
| Po   | 3.9  |     | 4.1  | 0.153 |      | 0.161  |
| P    | 7.9  |     | 8.1  | 0.311 |      | 0.319  |



**Table 10: Revision History**

| <b>Date</b> | <b>Revision</b> | <b>Description of Changes</b>     |
|-------------|-----------------|-----------------------------------|
| 15-Sep-2004 | 6               | Ordering Codes Revision - pag. 1. |

Information furnished is believed to be accurate and reliable. However, STMicroelectronics assumes no responsibility for the consequences of use of such information nor for any infringement of patents or other rights of third parties which may result from its use. No license is granted by implication or otherwise under any patent or patent rights of STMicroelectronics. Specifications mentioned in this publication are subject to change without notice. This publication supersedes and replaces all information previously supplied. STMicroelectronics products are not authorized for use as critical components in life support devices or systems without express written approval of STMicroelectronics.

The ST logo is a registered trademark of STMicroelectronics

All other names are the property of their respective owners

© 2004 STMicroelectronics - All Rights Reserved

STMicroelectronics group of companies

Australia - Belgium - Brazil - Canada - China - Czech Republic - Finland - France - Germany - Hong Kong - India - Israel - Italy - Japan - Malaysia - Malta - Morocco - Singapore - Spain - Sweden - Switzerland - United Kingdom - United States of America

[www.st.com](http://www.st.com)

This datasheet has been download from:

[www.datasheetcatalog.com](http://www.datasheetcatalog.com)

Datasheets for electronics components.